



### 218 GST-SUB

The 218 GST-Sub was designed to provide an optimized bandwidth response for the P Audio GST 181500 and the GST 181200. The dual 18 inch design provides additional mutual coupling for each of the two GST woofers and further extends low frequency performance. The 218 GST-Sub is a vented design that will provide deep bass and high sound pressure level performance to the lowest response range of the GST 18 inch woofers. The 218 GST-Sub is a large format enclosure that is excellent for both ultra high pressure dance club environments as well as long throw outdoor, non permanent install applications. The enclosure provides ultimate performance when constructed with high quality void free plywood.

The 218 GST-Sub design includes full enclosure plans. Additional enclosure construction tips and recommendations can be found in the P Audio document titled "Enclosure Construction Tips".

The 218 GST-Sub can be fully optimized by using a high quality DSP based loudspeaker processor. The recommended high pass filter is a 4th order Butterworth (24dB/Oct) with a corner frequency of 35Hz. When the 218 GST-Sub is loaded with either the GST 181500 or the GST 181200 high performance woofers the recommended low pass filter (high frequency crossover) is a 4th order Linkwitz-Riley with a crossover frequency of 80Hz.



**CUT AWAY**

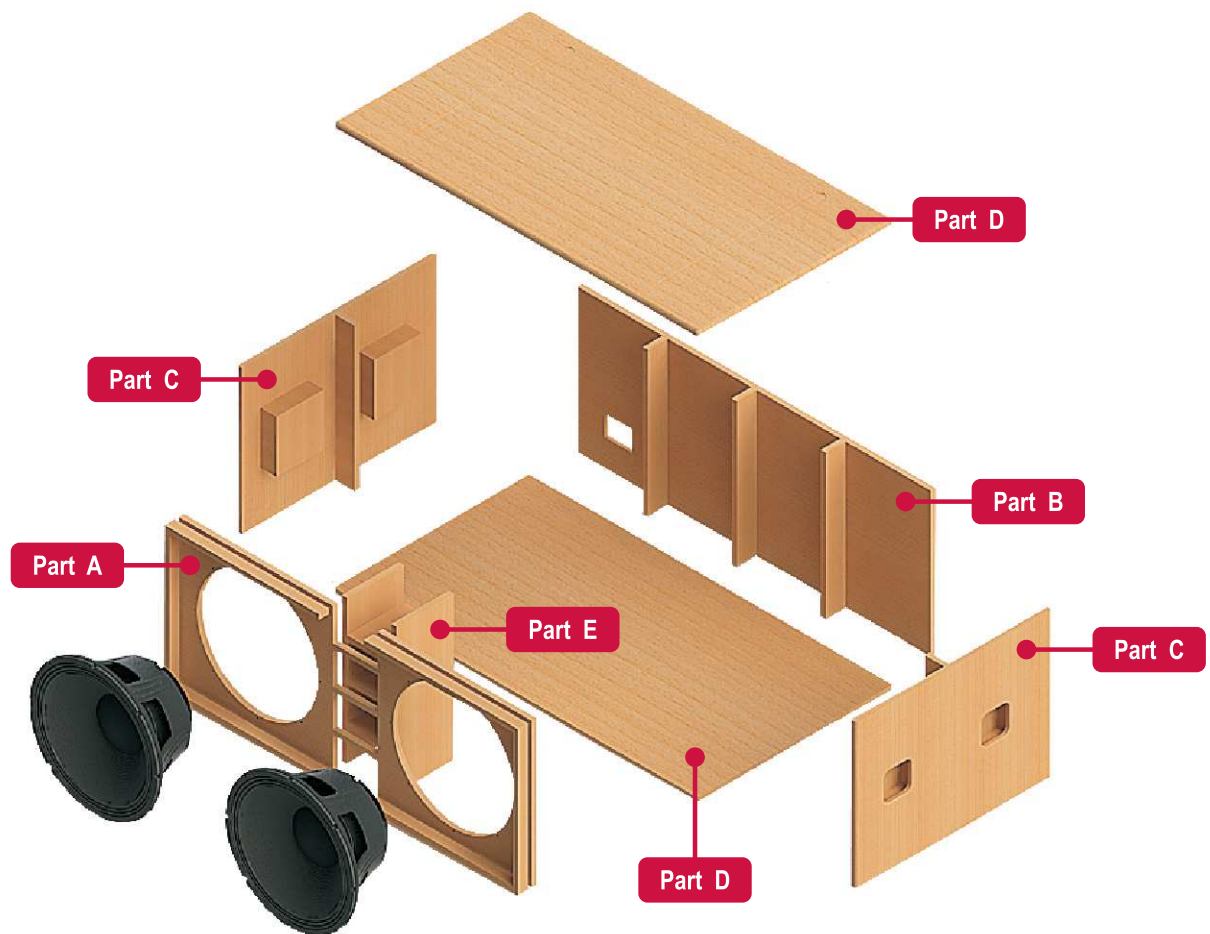


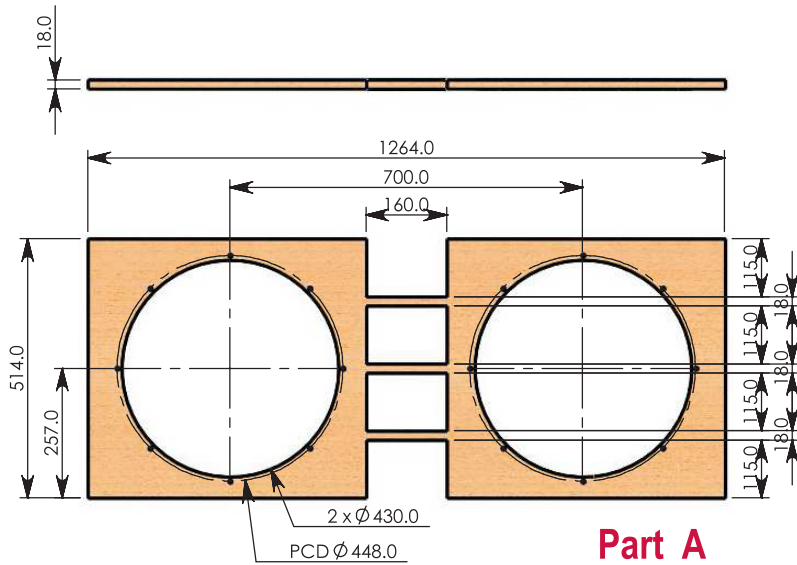
**FRONT VIEW**



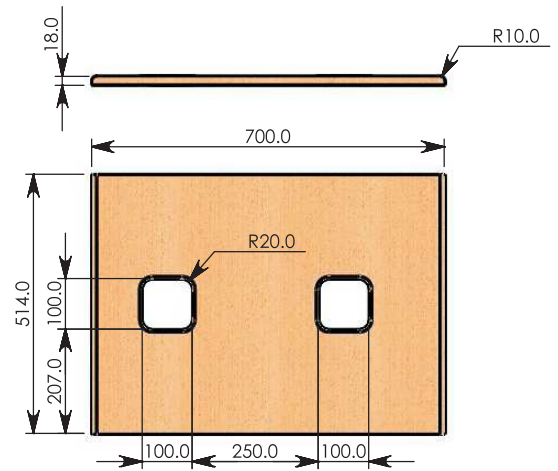
**BACK VIEW**

### PART LIST

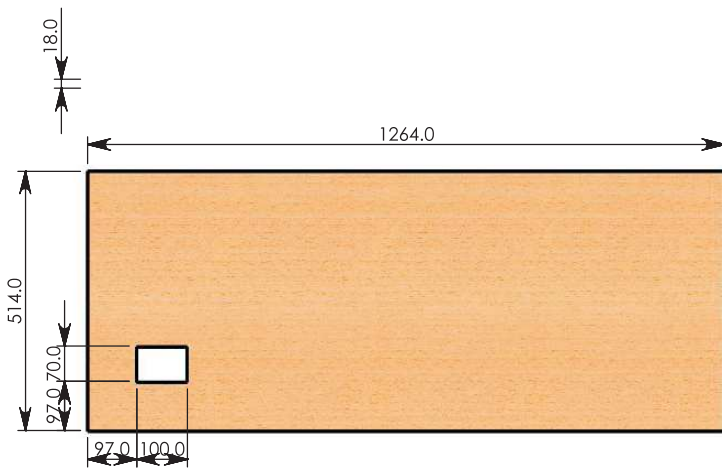




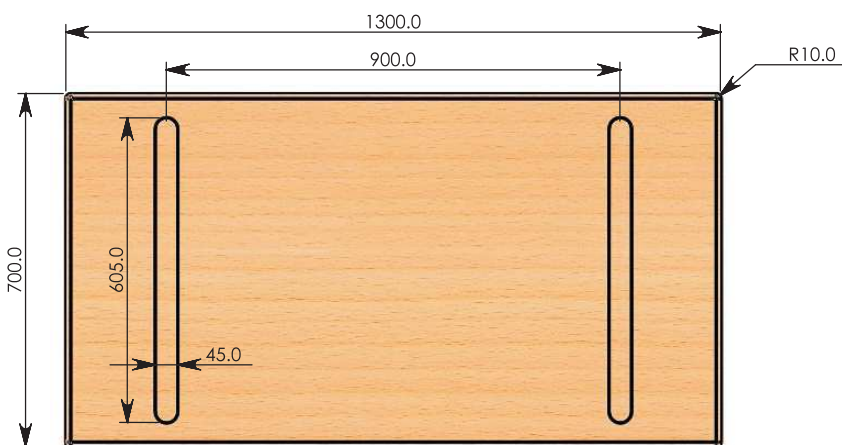
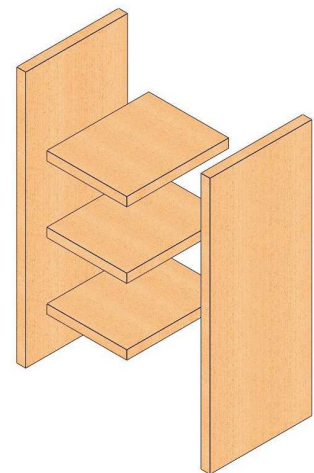
**Part A**



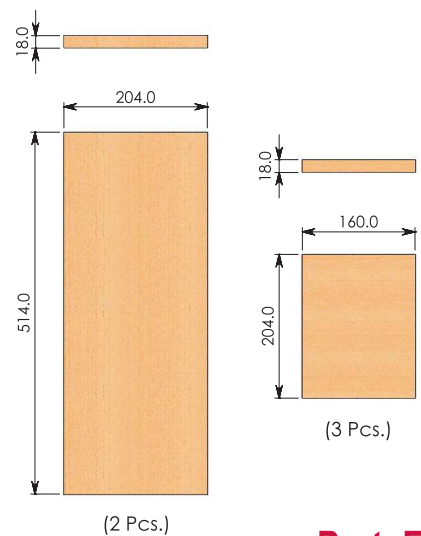
**Part C**



**Part B**



**Part D**



**Part E**

